

KAY PARK REC. CORP.
 1301 Pine St.
 P.O. Box 477
 Janesville, IA 50647-0477

GENERAL SPECIFICATIONS:

MANUFACTURER'S QUALIFICATIONS

Manufacturer maintains all times a quality control program as herein outlined so as to insure that all precast items all requirements as specified under physical requirements. All precast shall be manufactured by skilled workmen who have at least five years experience in similar work and supervised by foremen certified by the ACI (American Concrete Institute).

MANUFACTURING

All precast work shall be true to dimensions and have clean, accurate finishes and details as finally executed. Reinforcing steel shall conform to ASTM A615 for rebar, and details shall conform to ASTM A615. All precast shall have a minimum compressive strength of 5000 psi at 28 days of age when tested by means of 6 x 12 cylinder molds from the materials. There shall be a maximum of 4-6% air entrainment for all precast according to ASTM's standards.

REINFORCEMENT

All concrete products have reinforcement characteristics such as rebar or fiberglass.

MOLDS

The forms for the precast units shall be constructed of metal or aluminum, and designed to withstand casting pressures without distortion. All anchors, liners, bolts, etc., will be placed and secured in the forms as required for the alignment and handling of the units. These shall be cleaned or secured so as to hold them in position during fabrication.

PHYSICAL CHARACTERISTICS

All exposed surfaces are treated to remove the surface matrix and expose the aggregate produced by chemical treatment - no sand blasting. All precast shall have water-repellent sealer treatment applied in strict accordance with manufacturer's specifications.

All tolerances shall be within 1/8" of specified dimensions, designed for structural analysis and calculation.

COLOR

Color to be uniform throughout as approved by owner or specifier, in accordance with manufacturer's recommendation.

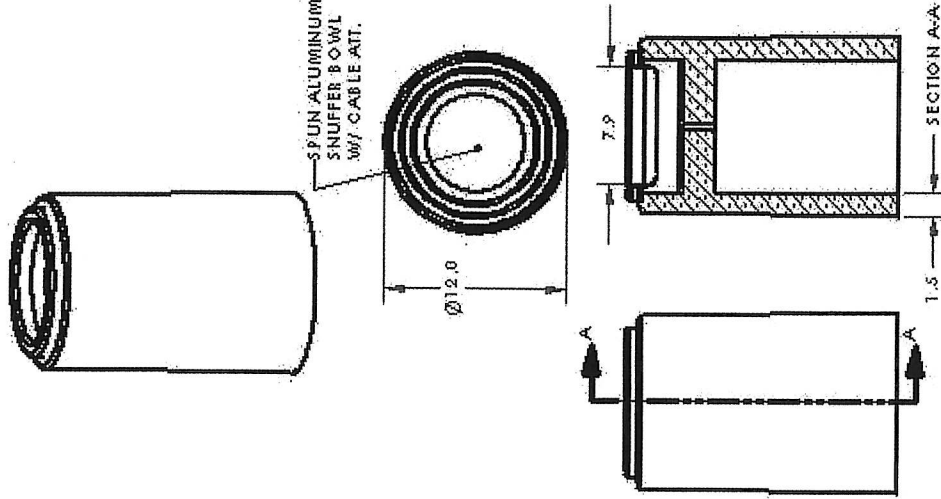
MATERIALS

For test Cement: ASTM C 150 Type I or III

All aggregate to meet ASTM C 33 Specifications

REQUIRED MATERIALS FOR APPROVAL

- A. Shop drawings with dimensions, general construction component list, anchoring details and installation instructions.
- B. Samples upon request for architect.
- C. Complete data on manufacturer's specifications and technical information.



Model: CSR1117
 Weight: 77 LBS.